

PF (Paper Filter) gravity Filter

Economical Fabric Coolant Filters

Applications:

- Grinding
- Honing
- Lapping
- Polishing
- Water Soluble or Oil Coolant



Performance Enhancing Features:

Quick Investment Return: *Unit is a very economical coolant system. Savings from increased production, lower maintenance costs and effective coolant re-use, return original investments in a short period.*

Lower Coolant Costs: Contaminants are removed automatically! Coolant does not have to be discarded due to heavy overload of chips and grit.

Magnetic Separator: This unit can have optional magnetic separator to minimize fabric usage in ferrous applications.

Increased Production: Better Finish Control – Efficiency results in fewer rejects related to coolant; reduced downtime for machine cleaning and maintenance.

Lower Maintenance Costs: Time and labor savings design of machines facilitates maintenance. Merely empty conveniently located sludge pan. Replacement of fabric rolls is quick and simple.

Increased Machine Efficiency: With clean coolant, abrasives (grinding wheels, abrasive belts, honing stones, etc.) do not become loaded with waste particles. Dressings or replacement are less frequent. Load-free coolant spray leaves no abrasive deposits on machine surfaces, fixtures, tables and critical working parts.

Advanced Filtration Concepts
3211 Grant Line Road
Summit Square, Suite #7
New Albany, IN 47150
Phone: 812-949-4711
Fax: 812-618-0900



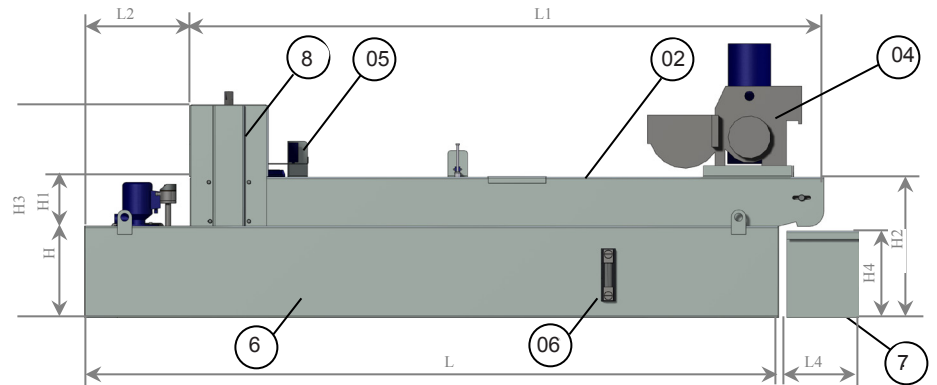
www.afcbarnes.com

PF (Paper Filter) Gravity Filter

Economical Fabric Coolant Filters

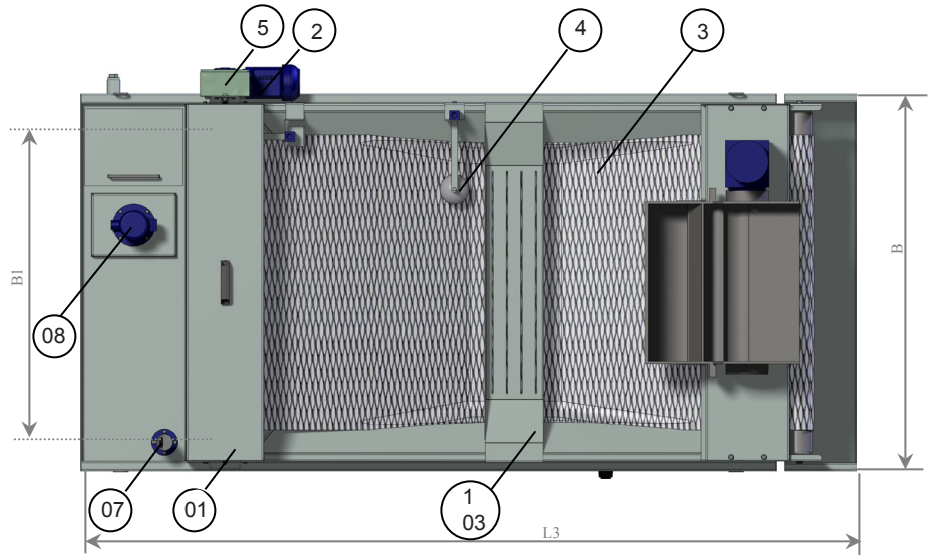
Standard

- 1 Inlet
- 2 Drive
- 3 Wire Belt
- 4 Floater Switch
- 5 Terminal Box
- 6 Clean Tank
- 7 Swarf Box
- 8 Filter Media



Options

- O1 Filter Media Cover
- O2 Filter Cover Plates
- O3 Inlet Distributor
- O4 Magnetic Separator
- O5 Filter Media Limit Switch
- O6 Optical Level
- O7 Level Switch
- O8 Machine Supply Pump (25 PSI)
- O9 Electrical Control Panel



Model	Filter Area	Volume	Dimensions (Inches)	Option Notes:										
				L	L1	L2	L3	L4	B	B1	H	H1	H2	H3
PF	SQFT	gallons	L	L1	L2	L3	L4	B	B1	H	H1	H2	H3	H4
60	2.33	50	44.31	37	12.69	53.94	8.69	26.75	19.31	11	5.88	16.94	25.56	10.44
90	3.66	61	54.19	46.81	12.69	63.75	8.69	26.75	19.31	11	5.88	16.94	25.56	10.44
120	5.00	74	64	56.69	12.69	73.63	8.69	26.75	19.31	11	5.88	16.94	25.56	10.44
150	7.50	106	54.19	46.81	12.69	63.75	8.69	45.5	39.75	11	5.88	16.94	25.56	10.44
200	10.00	124	64	56.69	12.69	73.63	8.69	45.5	39.75	11	5.88	16.94	25.56	10.44
250	12.50	143	73.81	66.56	12.69	83.44	8.69	45.5	39.75	11	5.88	16.94	25.56	10.44
300	15.00	161	83.69	76.38	12.69	93.31	8.69	45.5	39.75	11	5.88	16.94	25.56	10.44



Superior Filtration
 10524 E. Grand River Ave. #102
 Brighton, MI 48116
 Phone: (810) 844-2130
 Fax: (810) 844-2133



Barnes International, Inc.
 814 Chestnut Street
 P.O. Box 1203
 Rockford, IL 61105 1203
 Phone: 815-964-8661



Advanced Filtration Concepts
 3211 Grant Line Road
 Summit Square, Suite #7
 New Albany, IN 47150
 Phone: 812-949-4711
 Fax: 812-618-0900